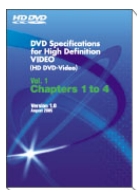


Guidelines for the DVD Book Digital Edition

Chapter 1. DVD Book Digital Edition

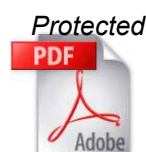
1.1 Purpose of the DVD Book Digital Edition

The DVD Book Digital Edition (“Digital Book” or “Digital Edition”) is a digitized version of the hard-copy DVD Format Book (the “Paper Edition”). The Digital Edition complements the Paper Edition by providing a more portable, easily searchable alternative. The Digital Edition includes the material in the latest Paper Edition, including supplementary documents such as Supplemental Information and Version-up Information.



Paper Edition

- Read the specifications on paper
- Receive updated information in paper form



Digital Edition

- Read the specifications on screen
- ***Printing from the PDF file is not permitted****
- Search the contents digitally
- Easily portable
- Receive updated information in digital form

* Only the Paper Edition is available in hard copy. Printing of the Digital Edition is not permitted.

Subscriptions to the DVD Book Digital Edition

To subscribe to the Digital Edition of a DVD Format Book, the company must be a subscriber to the Paper Edition of the same DVD Format Book.

For example, in placing an order for the Digital Edition of the HD DVD-Video and HD DVD-VR as a Multiple Book type (see [section 1.3](#) below), the company must have subscribed to the Paper Edition of both the HD DVD-Video and HD DVD-VR Books. (It is possible to place orders for both the Paper Edition and the Digital Edition at the same time.)

This condition is necessary for the following reasons:

- The purpose of the Digital Edition is to complement, not replace, the Paper Edition.
- In certain instances (for example, if there are technical problems with the Digital Edition distribution system), the content of the Digital Edition may differ from that of the Paper Edition (see [section 1.5](#) below).
- In situations where the Digital Edition system experiences difficulties, the Paper Edition can serve as a substitute.

Although it is recommended that each subscriber of (or individual with access to) the Digital Edition also refer to the corresponding Paper Book, use of the Digital Edition only is permitted.

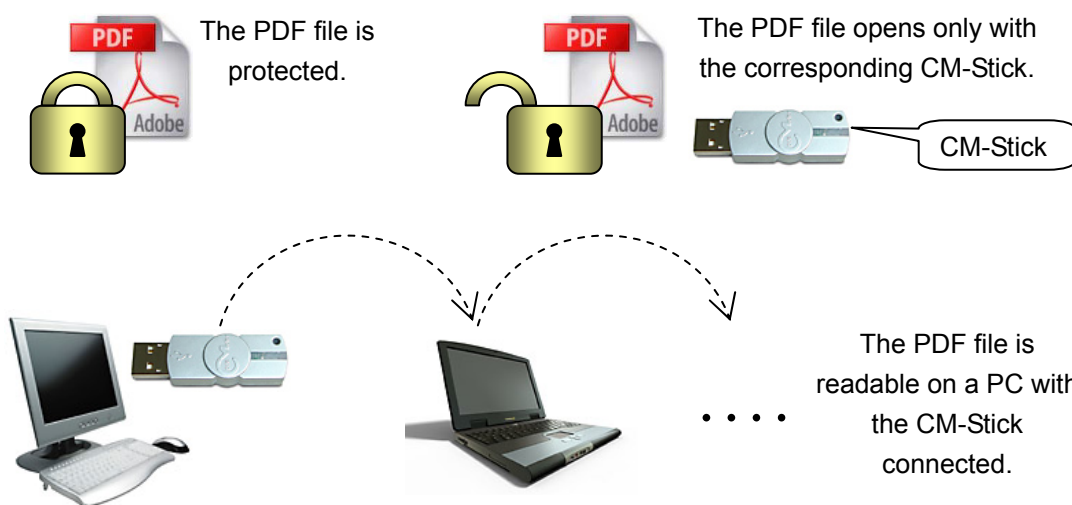
Guidelines for the DVD Book Digital Edition

1.2 Distribution of the Digital Edition

The DVD Format specifications are a trade secret protected under a Non-Disclosure Agreement (NDA) between the Digital Book subscriber and DVD FLLC. To prevent any unauthorized use, reproduction or transmission of the DVD specifications, the Digital Edition is provided in a secure manner as protected PDF files.

The digital right management system that controls access to the PDF files employs the “CodeMeter”**, which uses a secure USB-Key (“CodeMeter Stick,” or “CM-Stick”) to grant access to the files. A PDF file of the Digital Book can open only on a PC with the CM-Stick that includes the key for that Digital Book.

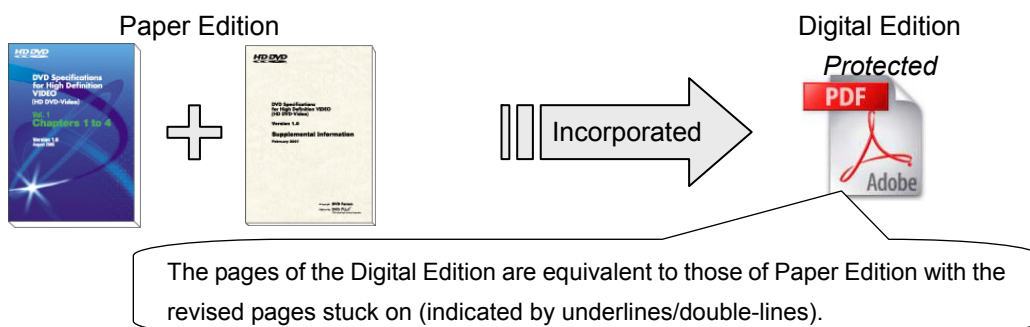
** CodeMeter is a product of WIBU-SYSTEMS AG, Germany.



The Digital Book PDF files and related information are provided via DVD FLLC's website at: <http://www.dvdfllc.co.jp> (Subscriber only area / Digital Book area). This area is accessible only by purchasers of Digital Books.

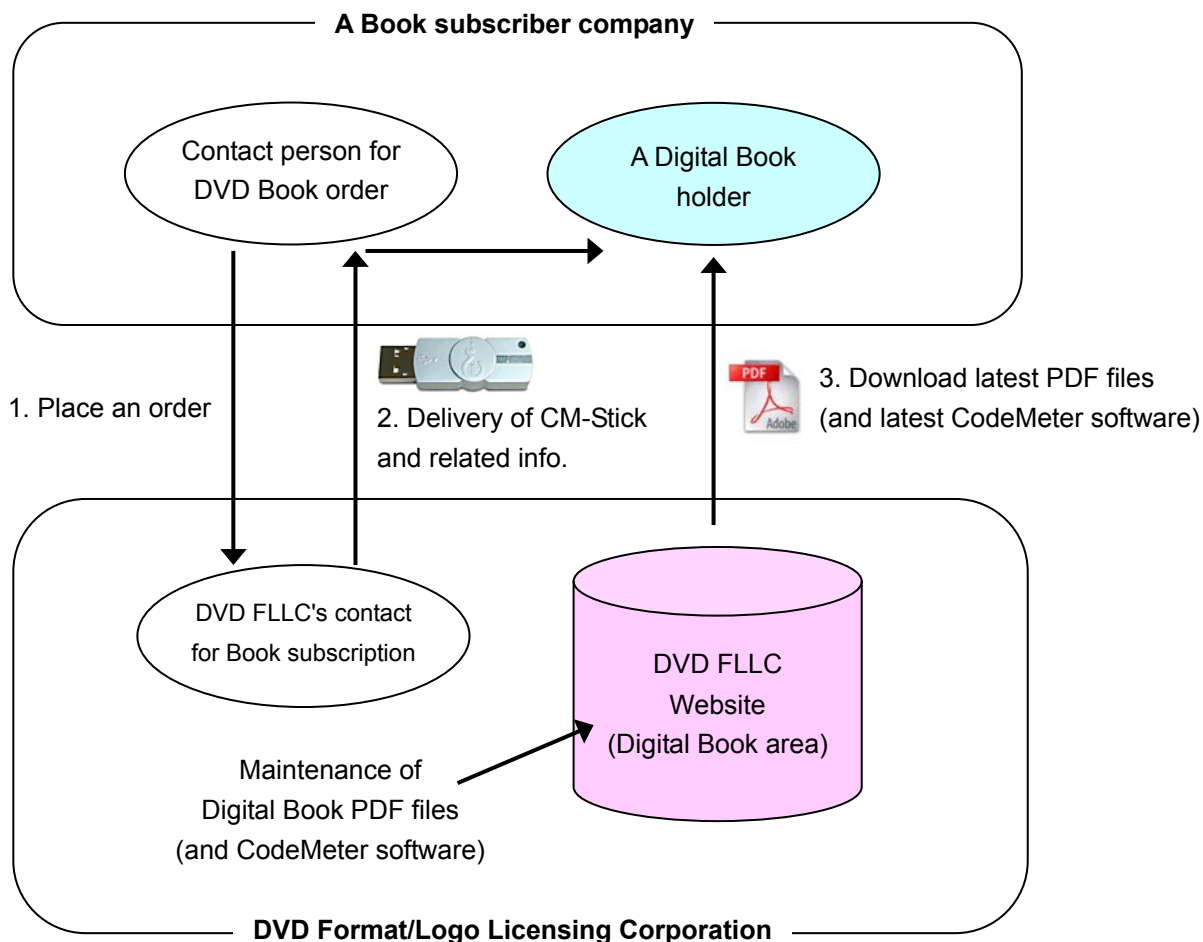
The Digital Book PDF files will include the information contained in the latest issue of the Paper Edition.

- When any **Supplemental/Version-up Information** is issued, the updated file (Main Book or Optional Book) with the revised pages will be uploaded to the website. (The Supplemental/Version-up Information will also be uploaded separately as a protected PDF file.)
- When any **Optional Specification** is issued, the file for the Optional Book will be uploaded to the website.



Guidelines for the DVD Book Digital Edition

The following chart outlines the distribution system (in this chart, the payment scheme is omitted).



Maintenance of the Distribution System

- DVD FLLC currently plans to maintain the distribution system and provide the latest version of the DVD Book Digital Edition until **the end of 2012**. Even after maintenance is terminated, the DVD Book Digital Edition will be accessible as long as the CodeMeter system operates on the host PC system.
- The CM-Stick is set to expire on **June 30, 2013**, regardless of the purchase date. After expiration, the Digital Book PDF files will not open with the CM-Stick.
- Depending on subscriber demand and technical constraints, DVD FLLC may extend the maintenance period and expiration date of the CM-Stick, with a charge to subscribers.

Guidelines for the DVD Book Digital Edition

1.3 Product Types for the Digital Edition

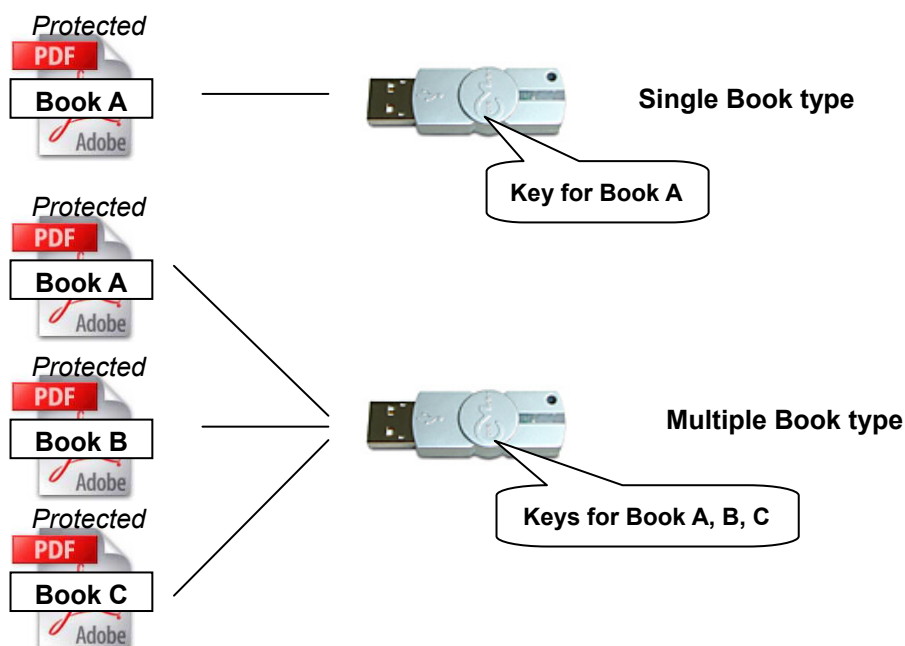
Two types of products will be provided:

- **Single Book type**

Key for one type of DVD Format Book is installed in one CM-Stick.

- **Multiple Book type**

Keys for multiple types of DVD Format Books are installed in one CM-Stick.



For the Multiple Book type, the DVD Format Books may be installed in ready-made or custom-made combinations. Details will be specified on the Digital Edition order sheet.

The cost of a Single Book type or Multiple Book type will include the following:

- Cost of a CM-Stick (including the installation fee, shipment cost, etc.)
- Cost of each DVD Format Book element

Actual prices are specified on the Digital Edition order sheet.

Guidelines for the DVD Book Digital Edition

1.4 System Requirements

Access to the Digital Edition will require a PC that satisfies the following criteria (as of October 2008). To use the CodeMeter system on a PC, installation of CodeMeter Runtime and SmartShelter|PDF Reader (a plug-in for Adobe Acrobat/Reader) is necessary.

Item	Requirements
Operating System	<p>Windows 2000 / Windows XP / Windows Vista (Latest service pack recommended)</p> <p>Note : As of October 2008, only the 32-bit version of OS is supported. The 64-bit version of XP/Vista may be supported in the future.</p>
PDF viewer	<p>Adobe Acrobat 9 / 8 / 7 / 6 or Adobe Reader 9 / 8 / 7 / 6 (Latest version recommended)</p> <p>Note 1: A third party viewer cannot be used. Note 2: When both Acrobat and Reader are installed, the SmartShelter plug-in installs to either as a default. Note 3: Adobe provides only Acrobat/Reader 9/8 for Windows Vista.</p>
USB port	<p>USB2.0 or USB1.1</p> <p>Note 1: CM-Stick can be connected through a USB-Hub. Note 2: If any security software/measure that blocks USB mass storage devices is active on the PC, modification of the security software to accept the CM-Stick as an exception (e.g., by registering the CM-Stick to the White List) may be necessary. Without such an exception, the CM-Stick may not operate.</p>
DVD drive	<p>Together with the CM-Stick, related information is provided on a DVD-R media. (The same information can be downloaded from DVD FLLC's website.)</p>
Internet connection	<p>To download the latest PDF files and related information from DVD FLLC's website, an Internet connection is necessary.</p>
Supported languages	<p>Installers of CodeMeter software and any message boxes are displayed in the following languages, depending on the language of the Operating System: Chinese / English / French / German / Italian / Japanese When the language of the OS is not a language listed above, displays are in English.</p>
Other	<p>Same requirements as for the PDF viewer software you use.</p>

Guidelines for the DVD Book Digital Edition

1.5 Specifications of Digital Book PDF files

Item / Function	Specifications
File format	PDF file with the extension “.pdf” The file contains metadata for CodeMeter, and is encrypted. To open the file, the corresponding CM-Stick is necessary.
Printing	Not permitted
Editing	Not permitted
Copying PDF files	PDF files may be copied with Windows Explorer. The copy remains protected. (“Save as” function of Adobe Acrobat/Reader cannot be used for copying because some information for CodeMeter is lost through the copying process.)
Search	Available by using search function provided by Adobe Acrobat/Reader
Bookmark	Available for heading level-1, 2 and 3

Notice:

The Digital Book PDF files are converted from the master files of the Paper Edition, and may differ in appearance or in content due to the conversion process. In the event of any discrepancy between the Digital Edition and the Paper Edition, the Paper Edition will take precedence.

1.6 Terms for Delivery of the CM-Stick

DVD FLLC will provide the subscriber with a CM-Stick on the following terms:

Case	Warranty
CM-Stick is lost	The product (i.e., the DVD Format Book element and CM-Stick) must be repurchased.
CM-Stick becomes inoperable from natural use within 1 year of purchase	The CM-Stick will be replaced without charge.***
CM-Stick becomes inoperable from natural use after 1 year of purchase	The CM-Stick must be repurchased for replacement.***
CM-Stick is inadvertently or purposefully damaged (crushed, submerged, etc.)	The CM-Stick must be repurchased for replacement.***
Other cases	To be determined by DVD FLLC

*** The CM-Stick to be replaced must have the sticker indicating the Key ID number (CM#####) that accompanied the CM-Stick with shipment. If the sticker is lost, the treatment will be the same as when the CM-Stick is lost.

Guidelines for the DVD Book Digital Edition

Chapter 2. Terms and Conditions

The DVD Book Digital Edition will be provided only to the DVD Format Book subscriber company that acknowledges the guidelines for the DVD Book Digital Edition system described in [Chapter 1 above](#), and agrees to the Terms and Conditions in this [Chapter 2](#).

1. These Guidelines, including these Terms and Conditions, constitute the exclusive terms under which DVD FLLC will provide the DVD Book Digital Edition. These Terms and Conditions supersede any other statements or representations by DVD FLLC regarding the DVD Book Digital Edition, whether such statements or representations were made orally or in writing.
2. The DVD Book Digital Edition is subject to the Non-Disclosure Agreement (“NDA”) between the subscriber and DVD FLLC. The subscriber is prohibited from bypassing any security measures applied to the DVD Book Digital Edition; from making unauthorized copies, in whole or in part, of the DVD Book Digital Edition; from transmitting or disclosing such copies to third parties in violation of the NDA; or from transferring any part of the DVD Book Digital Edition, including the CodeMeter Stick hardware component, to anyone not authorized to receive such materials under the NDA.
3. The subscriber acknowledges that the CodeMeter system is a product of a company other than DVD FLLC (WIBU-SYSTEMS AG as of October 2008), and any license regarding the CodeMeter system will be between the subscriber and WIBU-SYSTEMS AG.
4. **SUBSCRIBER ACCEPTS THE FILES THAT CONTAIN THE DVD BOOK DIGITAL EDITION “AS IS.” DVD FLLC HEREBY DISCLAIMS ANY AND ALL WARRANTIES REGARDING USE OF THE FILES THAT CONTAIN THE DVD BOOK DIGITAL EDITION, INCLUDING BUT NOT LIMITED TO ANY WARRANTY REGARDING THE EFFECT OF DOWNLOADING THE FILES ONTO USER’S COMPUTER SYSTEM. SUBSCRIBER WAIVES ANY AND ALL CLAIMS, CAUSES OF ACTION, OR OTHER BASES FOR ASSERTING LIABILITY THAT SUBSCRIBER HAS OR MAY HAVE AGAINST DVD FLLC ARISING FROM OR RELATING TO USE OF THESE FILES. DVD FLLC FURTHER DISCLAIMS RESPONSIBILITY WITH RESPECT TO ANY DAMAGES INCURRED IN DOWNLOADING OR USING THE DVD BOOK DIGITAL EDITION. IN NO EVENT WILL DVD FLLC BE LIABLE FOR ANY LOST REVENUE, LOST PROFIT, OR LOST OR CORRUPTED DATA, OR FOR ANY DIRECT, INDIRECT, INCIDENTAL, SPECIAL, CONSEQUENTIAL OR OTHER DAMAGES ARISING OUT OF THE USE OF THE DVD BOOK DIGITAL EDITION BY ANY PERSON.**
5. DVD FLLC gives no guarantee that the DVD Book Digital Edition operates on every PC system that satisfies the system requirements specified by DVD FLLC.
6. DVD FLLC provides no support with respect to the use or modification of the CodeMeter components for any purpose other than the permitted use of the DVD Book Digital Edition provided by DVD FLLC.
7. Although DVD FLLC’s present intention is to maintain the DVD Book Digital Edition distribution system in essentially its current form through 2012, DVD FLLC reserves the right to terminate or alter the distribution system at any time and for any reason.
8. In no circumstances will the subscriber be entitled to a refund or reimbursement of any amount paid to DVD FLLC in connection with the DVD Book Digital Edition or the CodeMeter Stick.

(Continued)

Guidelines for the DVD Book Digital Edition

9. Use of the DVD Book Digital Edition for commercial purposes requires that the subscriber enter into a DVD Format/Logo Licensing Agreement, and is subject to the terms and conditions thereof.
10. In the event of a discrepancy between the DVD Book Digital Edition and the Paper Edition, the Paper Edition takes precedence.
11. Subscribers are advised to consult DVD FLLC's website frequently for information regarding amendments or supplements to their DVD Book Digital Edition(s). It is the subscribers' sole and exclusive responsibility to ensure that their DVD Book Digital Edition(s) include the most current material.
12. DVD FLLC disclaims responsibility with respect to any delay in downloading Digital Book PDF files and related information.
13. DVD FLLC is unable to accept DVD Book Digital Edition subscriptions or CodeMeter Stick purchase orders from any country or territory that imposes legal restrictions on the importation of the required hardware or software. The subscriber is solely responsible for any customs duties or import fees that may be levied on the importation of the CodeMeter Stick.
14. The DVD Book Digital Edition relating to any product type(s) may be added, modified or removed without prior notice.
15. The prices of the DVD Book Digital Editions or the CodeMeter Stick hardware element may be changed without prior notice.
16. Any requirements, specifications or conditions of the DVD Book Digital Edition distribution system may be updated or modified without prior notice.
17. Distribution and use of the DVD Book Digital Edition, including these Terms and Conditions, shall be governed by and in accordance with the laws of the State of New York, USA.
18. If any portion of these Terms and Conditions is determined to be unlawful or unenforceable, then that portion of the Terms and Conditions shall be severed from the remainder, and the remainder shall continue to be enforceable as between DVD FLLC and the subscriber.

Guidelines for the DVD Book Digital Edition

Revision history

- August 2007 : First edition
- October 2008 : 1.4 System Requirements was updated to include Adobe Acrobat/Reader 9.

Trademarks

All trademarks are the properties of their respective owners.

- Adobe, Adobe Acrobat and Adobe Reader are either registered trademarks or trademarks of Adobe Systems Incorporated in the United States and/or other countries.
- Microsoft, Vista, Word and Windows are either registered trademarks or trademarks of Microsoft Corporation in the United States and/or other countries.
- WIBU, CodeMeter, SmartShelter are registered trademarks of WIBU-SYSTEMS AG.
- **DVD FLLC**[™] is a trademark of DVD Format/Logo Licensing Corporation.

Contact

DVD FLLC[™]

DVD Format/Logo Licensing Corporation

Address: Daimon Urbanist Bldg. 6F, 2-3-6 Shibadaimon, Minato-ku, Tokyo, 105-0012 Japan

Fax: +81-3-5777-2884

E-mail: book@dvdflc.co.jp (For general issues on DVD Book subscription)

Thank you for your attention.